



AIRCRAFT TOOLS CONSULTING



EMS HELICOPTER

ANSAT



Max speed
260 km/h



Max take-off
weight
3 600 kg



Max payload
1 076 kg



Transportation
of 1 patient



Transportation
of 2 paramedics



Flight range
505 km

ANSAT



AMBULANCE AVIATION

A patient should receive the most vital help during the first hour after the accident. Ambulance aviation is the best way for that. EMS helicopters allow for reducing RTA mortality rate by half, severity of consequences by 3 times, mortality in acute cases by 10 times.

Primary tasks of ambulance aviation:

- delivery of paramedics
- emergency airlift of intensive care patients
- provision of planned consultative medical care in hard to reach regions
- inter-hospital transportation of patients to specialized hospitals

Advantages of ambulance aviation:

- quality and accessibility of medical care for residents of remote and hard to reach regions
- short time and high speed of arrival of paramedics to handle medical emergency



Loading the patient into the cabin

AMBULANCE MODIFICATION OF ANSAT HELICOPTER

The new Russian helicopter ANSAT is intended to perform the primary tasks of ambulance aviation.

Spacious and functional cabin, featuring a low level of noise and vibrations, allows transporting patients and paramedics.

Due to its performance characteristics, ANSAT helicopter is capable to perform urgent missions in adverse conditions.

Advantages of ANSAT helicopter:

- high safety level proved by Category A certification
- maneuverability – compact size and easy control
- capability to land on unprepared or small-size sites
- easy access to cabin and patient handling
- fast conversion of transport-passenger cabin
- flights within the temperature range from -50°C to +50°C

The ambulance modification of ANSAT helicopter includes specialized equipment, removable stretchers and seats for medical personnel.

Wide space around the medical module allows the paramedics to conveniently perform intubation, carry out continuous CPR and health monitoring of the patient during the flight.



Maximum speed
275 km/h



Flight range
505 km

MEDICAL MODULE



MODERN MULTY-PURPOSE MEDICAL MODULE

The medical module is designed to provide specialized medical care, continuously monitor medical status, support vital functions, and provide intensive treatment.

The medical module is equipped with:

- ALV apparatus
- pulseoxymetry device
- monitoring and defibrillation system
- aspirator
- vacuum mattress with pump and case
- volumetric infusion pump
- neck immobilizers
- first aid kit
- thermal-insulation container with a heating element

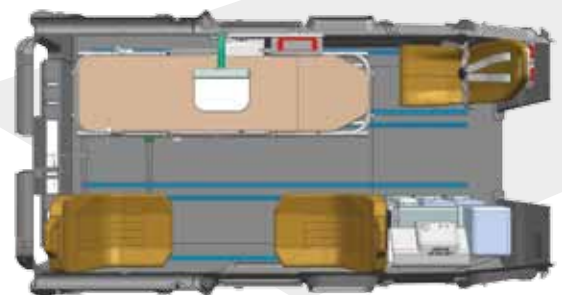
The weight of a fully packaged medical module is 107 kg.

EMERGENCY MEDICAL CARE DURING THE FLIGHT

On board ANSAT helicopter, medical personnel can:

- provide first aid and emergency medical care for injured people at the scene of the accident
- prepare the patient for further transportation
- perform resuscitation, intensive care and monitoring of primary vital body functions of the injured person during transportation
- provide smooth emergency medical evacuation of the injured person and the inter-hospital transportation of patients with limited vital signs

Ambulance modification cabin layout



Transportation of 1 patient



Transportation of 2 paramedics



Medical module placement



Landing on the hospital helipad



AIRCRAFT TOOLS CONSULTING

PERFORMANCE DATA

WEIGHT DATA



Maximum take-off weight, kg	3 600
Maximum payload, kg	1 076

ENGINES



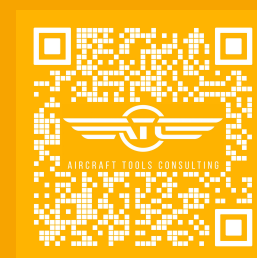
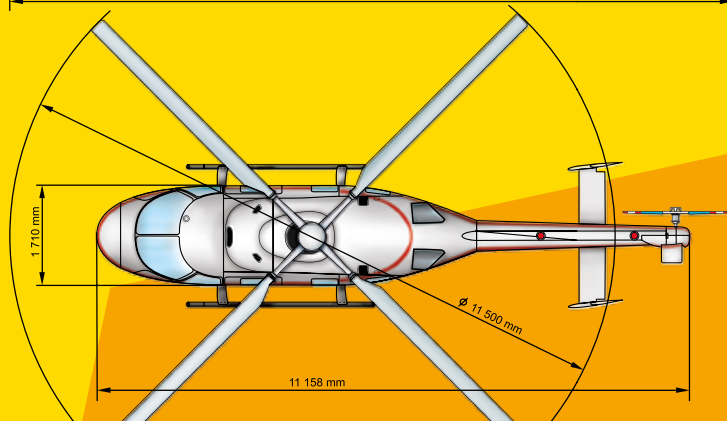
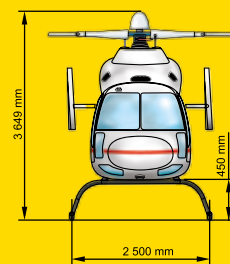
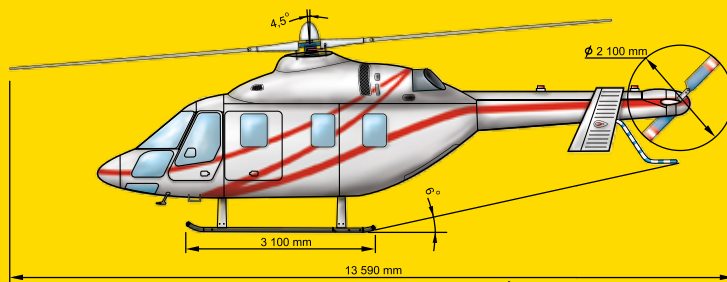
2 x PW-207K, Pratt & Whitney

Take-off power, hp	2 x 630
Maximum continuous power, hp	2 x 554

FLIGHT PERFORMANCE



Maximum speed, km/h	260
Cruise speed, km/h	220
Service ceiling, m	4 050
HOG _E , m	1 500
HIGE, m	2 550
Flight range, km	505
Rate of climb, m/s	11.5
Flight endurance, h	2.87



Aircraft Tools Consulting Ltd.
40c1, 3-y Mar'inoy Roshchi
Proyezd, Moscow, 127018, Russia

Tel.: +7 495 769 42 42
Mob: +7 916 650 47 07

www.atcswiss.com
info@atcswiss.com

Technical and operational characteristics are given as at the date of printing and may be changed by the manufacturer without prior notice. In the composition of the illustrations can be shown equipment not included in the basic specification.